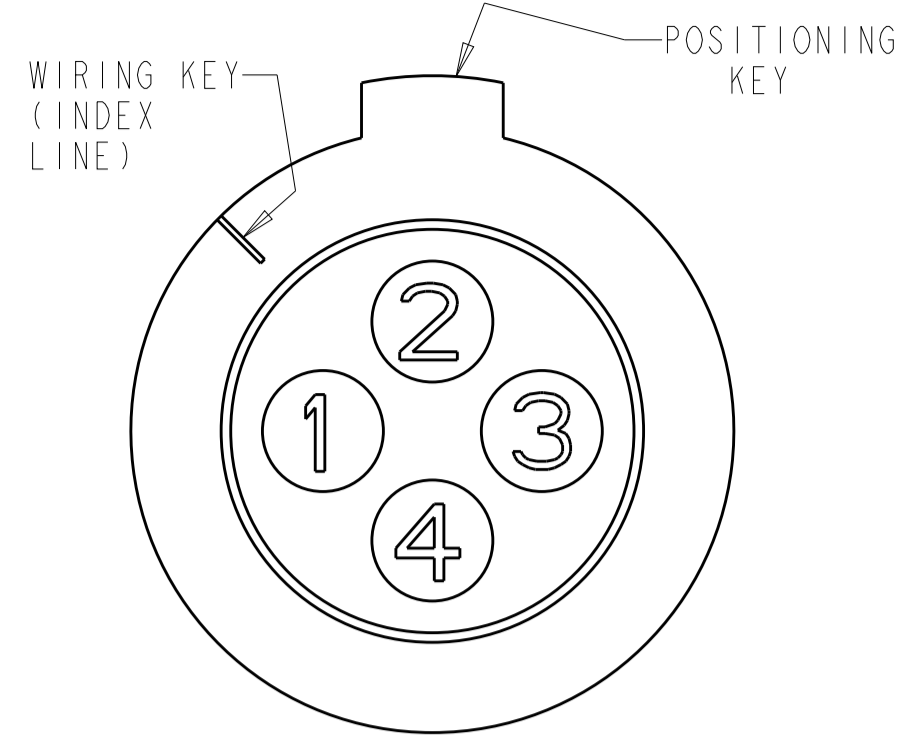


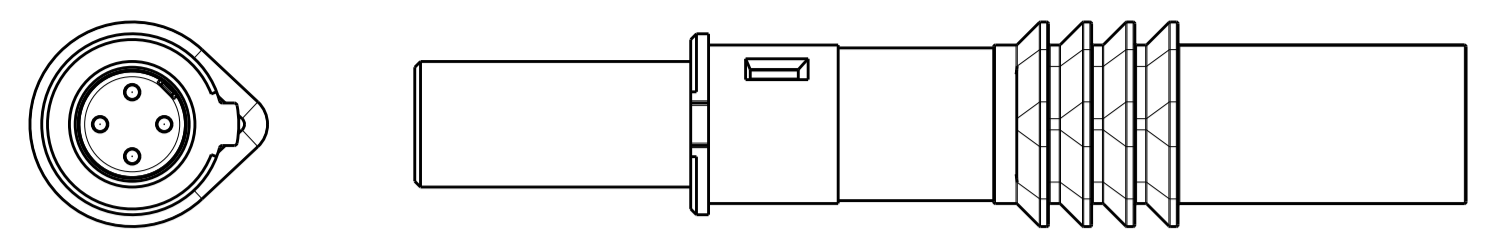
REVISIONS				
P.	LTH	DESCRIPTION	DATE	APVD
C		REV PER ECO-15-012764	12OCT2015	KG DM



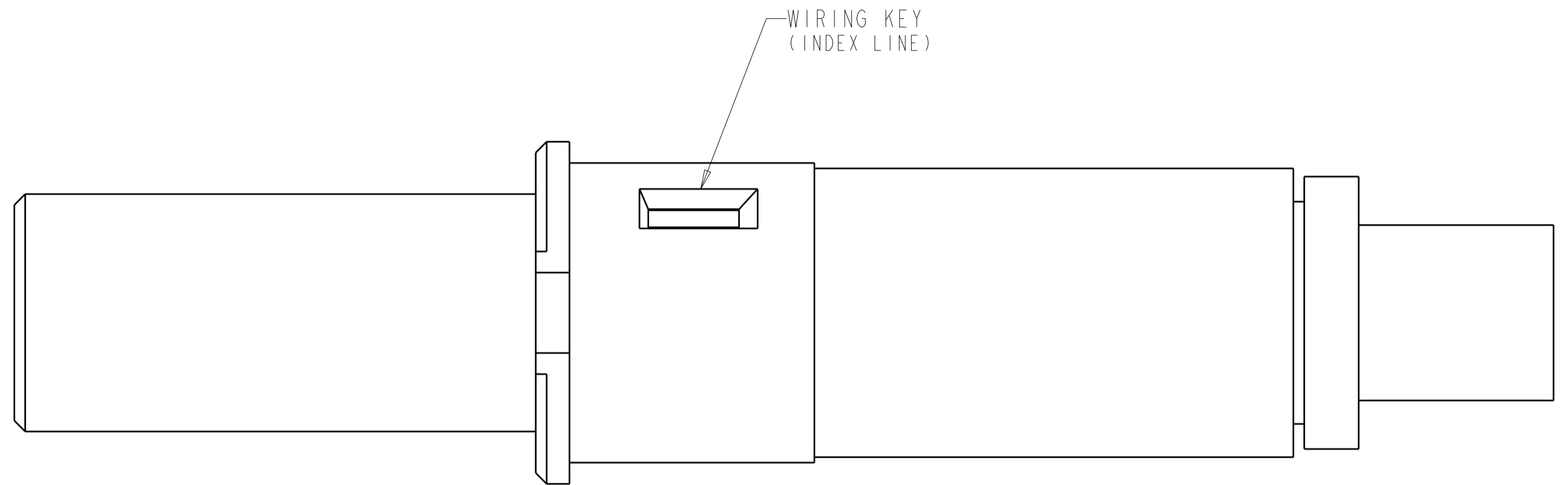
Rx-	4
Tx-	3
Rx+	2
Tx+	1
SIGNAL ALLOCATION	CAVITY NUMBER

MATING FACE VIEW

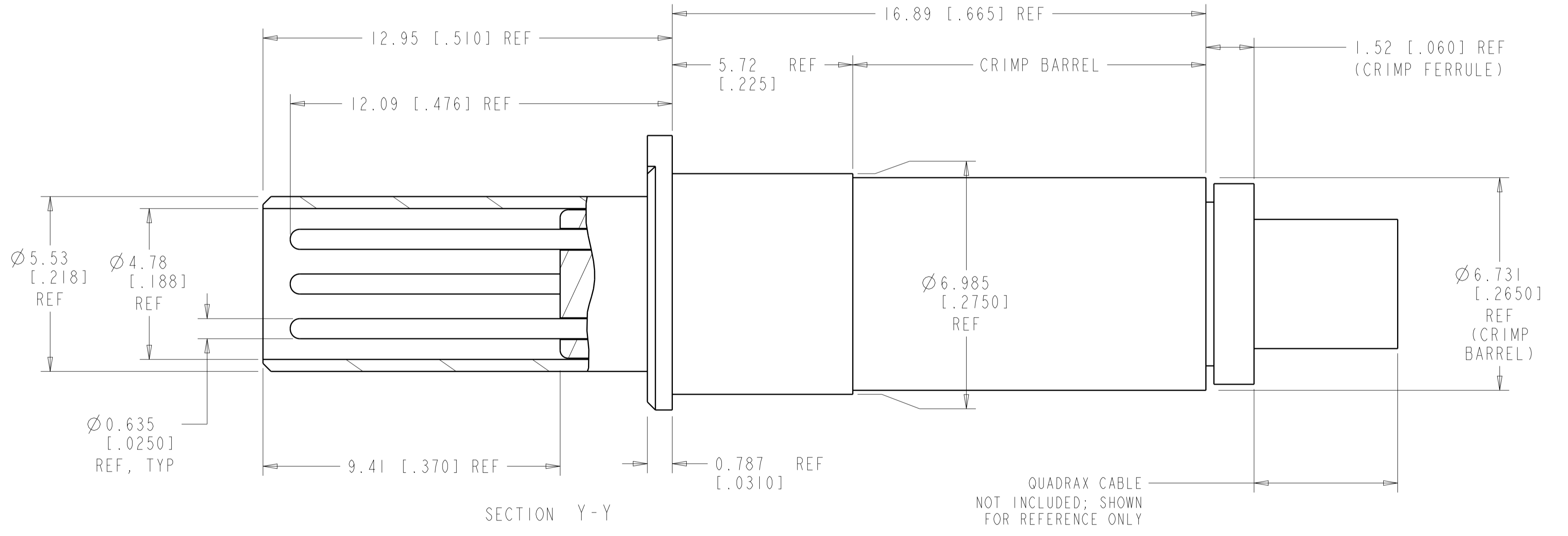
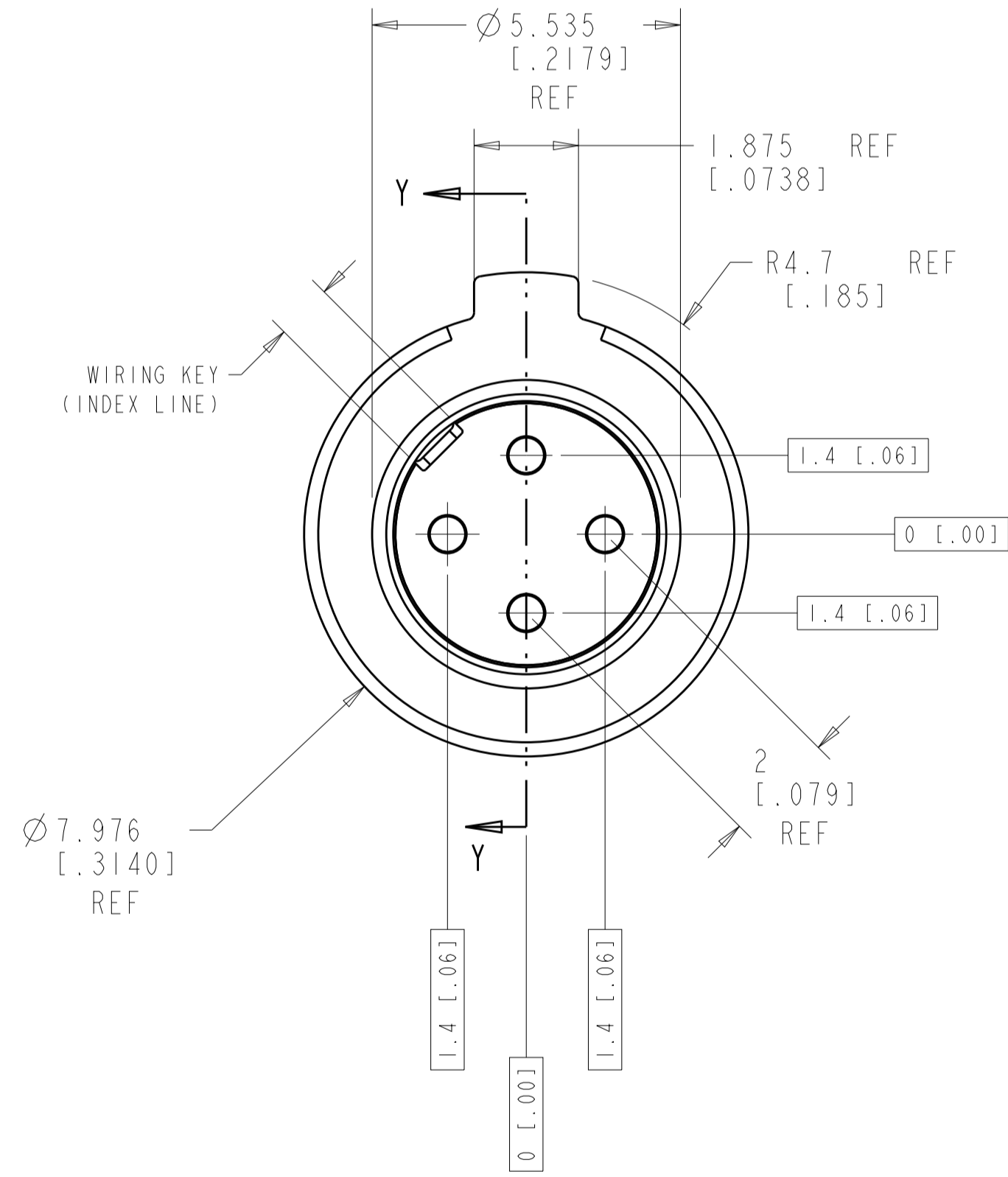
CONTACT CAVITY NUMBERING
STANDARD CAVITY NUMBER ASSIGNMENT



1877039-2
SCALE 3:1



WIRING KEY
(INDEX LINE)



SECTION Y-Y

QUADRAx CABLE
NOT INCLUDED; SHOWN
FOR REFERENCE ONLY

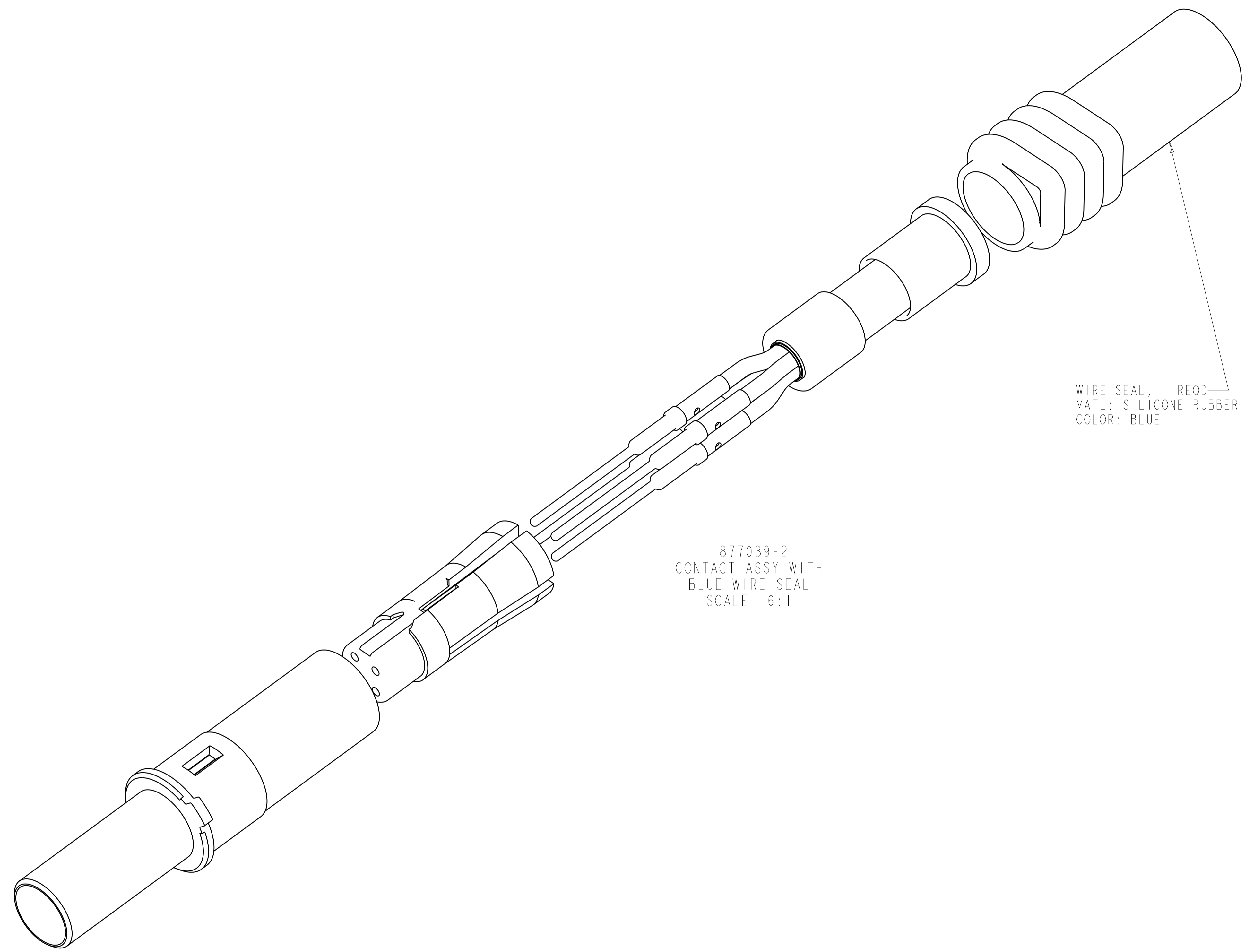
- COMPONENTS ARE PACKAGED IN KIT FORM. CABLE MUST BE PURCHASED SEPARATELY. .231 HEX CRIMP WILL ALLOW ASSEMBLY OF SOME 150 OHM CABLES.
REFERENCE CABLES: TENSOLITE 26473/02006X-4(LD), RAYCHEM CEC-RWC-18684, RAYCHEM CEC-RWC-18680
- ASSEMBLY PER APPLICATION SPECIFICATION 114-13123. (.231 HEX CRIMP)
- USE INSERTION-EXTRACTION TOOL 1738894-1.

SEAL COLOR	DESCRIPTION	PART NO.
BLUE	SAME AS -1 EXCEPT WITH WIRE SEAL	1877039-2
--	AS SHOWN; WITHOUT WIRE SEAL	1877039-1

THIS DRAWING IS A CONTROLLED DOCUMENT.		DWN: 04MAY05	 TE Connectivity
DIMENSIONS: mm [INCH]		CHK: 04MAY05	
TOLERANCES UNLESS OTHERWISE SPECIFIED:		APP: 04MAY05	
0 PLC	±	PRODUCT SPEC	NAME ASSEMBLY, PIN, QUADRAx, 2mm SQ, AIRCRAFT DATA NETWORK, RR/RR WITH PIN CONTACTS, .231 HEX CRIMP
1 PLC	±0.2 [0.008]	APPLICATION SPEC	
2 PLC	±0.13 [0.005]		
3 PLC	±0.051 [0.002]		
4 PLC	±		
MATERIAL		WEIGHT	SIZE: A1
FINISH		Customer Drawing	SCALE: 2:1 SHEET 1 OF 2 REV C

THIS DRAWING IS UNPUBLISHED. RELEASED FOR PUBLICATION 20
COPYRIGHT 20 BY - ALL RIGHTS RESERVED.

REVISIONS				
P.	LTN	DESCRIPTION	DATE	APVD
-	-	SEE SHEET 1	-	-



1877039-2
CONTACT ASSY WITH
BLUE WIRE SEAL
SCALE 6:1

WIRE SEAL, 1 REQD
MATL: SILICONE RUBBER
COLOR: BLUE

THIS DRAWING IS A CONTROLLED DOCUMENT.		DWN: 04MAY05	
DIMENSIONS: mm [INCH]		CHK: 04MAY05	
TOLERANCES UNLESS OTHERWISE SPECIFIED:		RW: 04MAY05	
0 PLC ±.013 (1.0051) 1 PLC ±0.2 (1.0083) 2 PLC ±0.13 (1.0051) 3 PLC ±0.051 (1.0023) 4 PLC ±. ANGLES ±. FINISH ±.		APVD: 04MAY05	
MATERIAL: -	FINISH: -	WEIGHT: -	NAME: ASSEMBLY, PIN, QUADRAX, 2mm SQ, AIRCRAFT DATA NETWORK, RR/RR WITH PIN CONTACTS, .231 HEX CRIMP SIZE: A1 CAGE CODE: - DRAWING NO: 1877039 RESTRICTED TO: - Customer Drawing SCALE: 2:1 SHEET 2 OF 2 REV C